

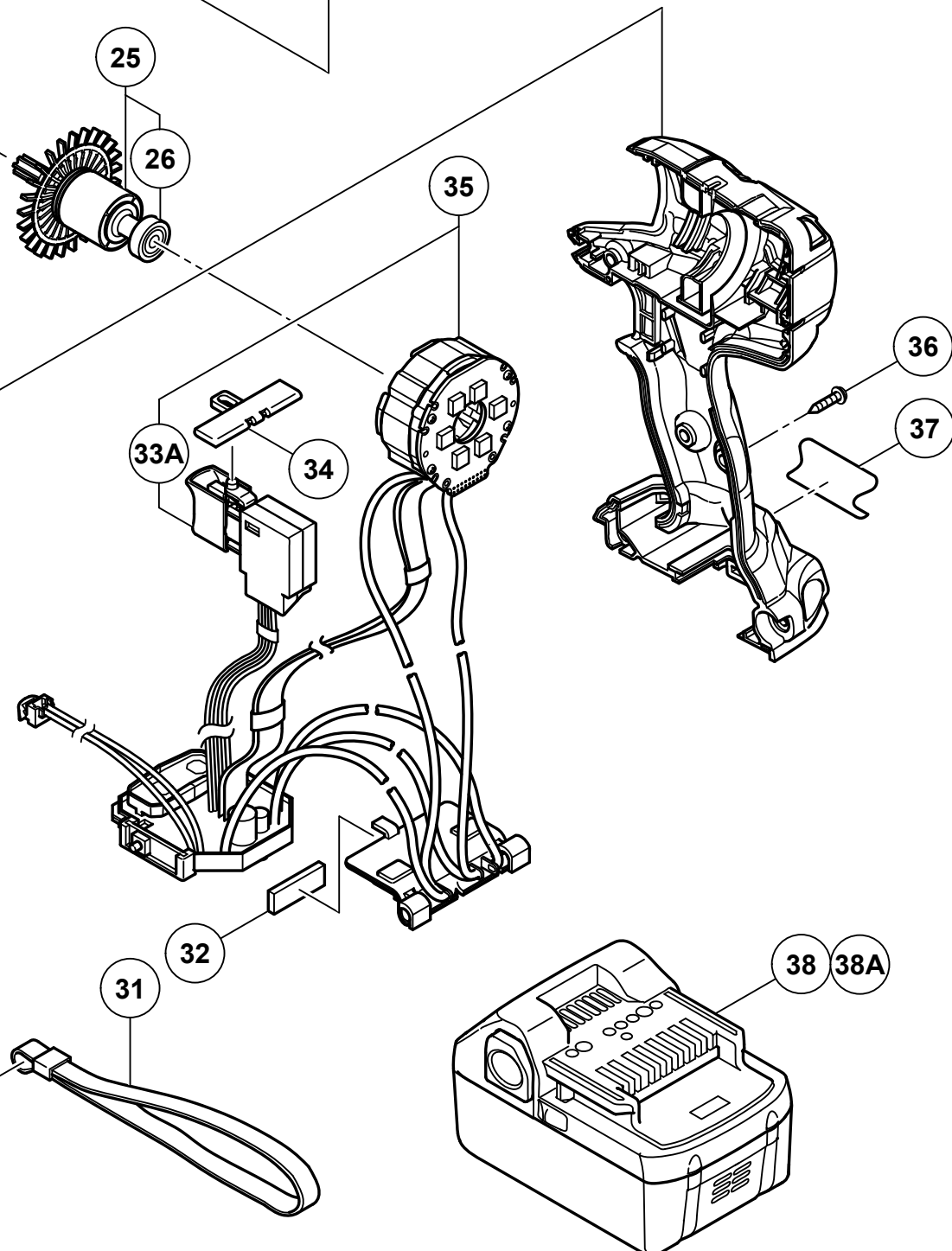
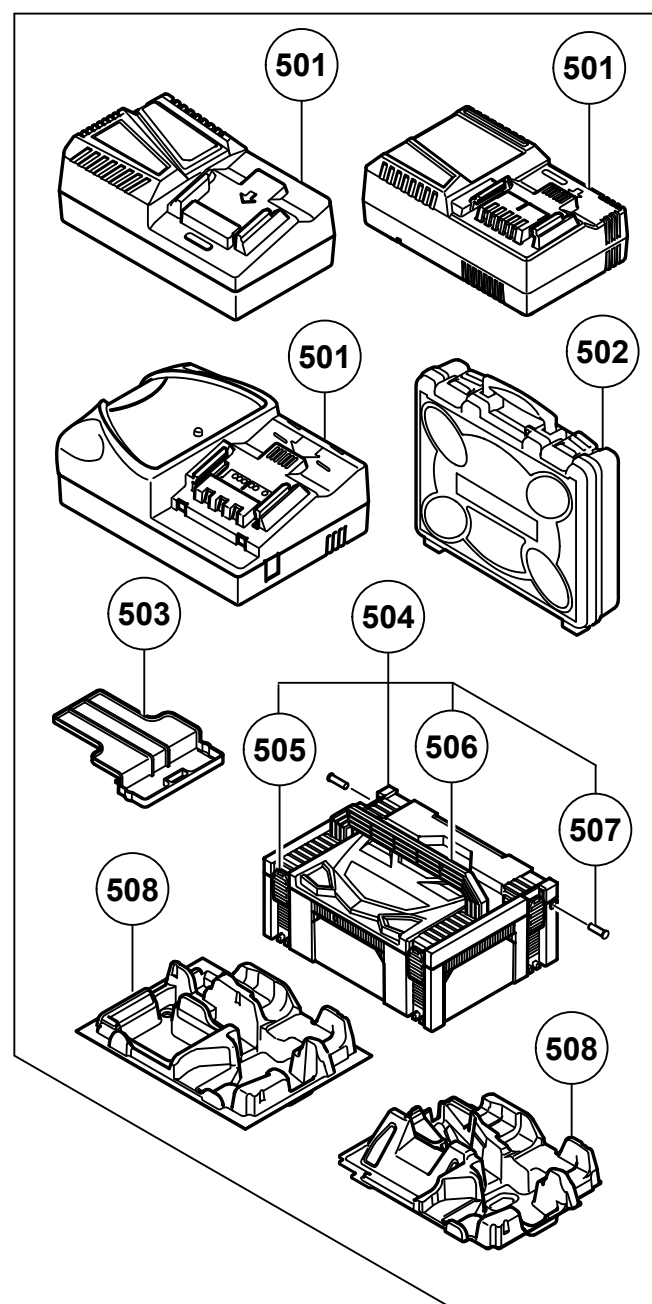
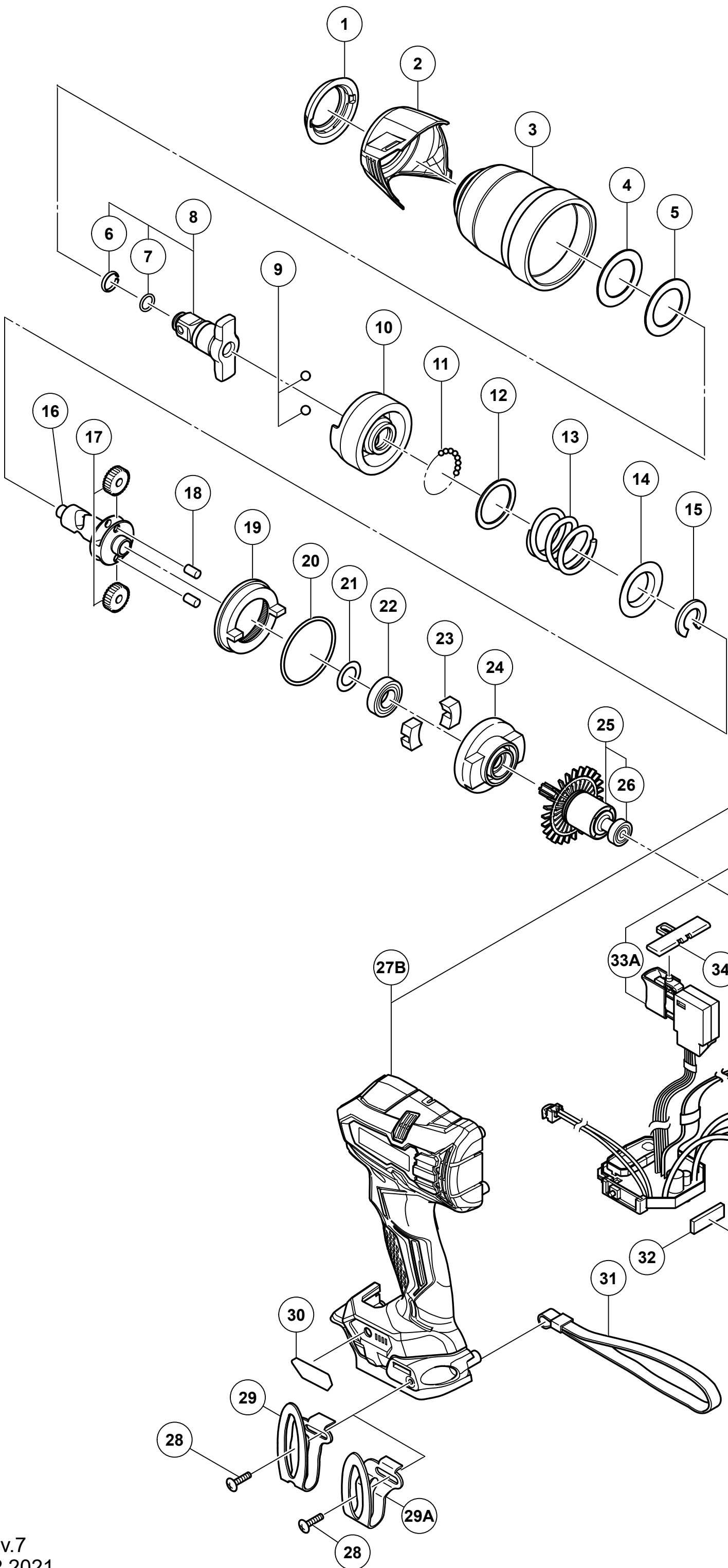
MODEL
DS18DE

HIKOKI

CORDLESS DRIVER DRILL DS18DE

Item No.	Code No.	Description	No. Used	Remarks
1	379124	HEXALOBULA SCREW (LEFT HAND) M6	1	
2	335961	DRILL CHUCK 13VLRU-N (W/O CHUCK WRENCH)	1	
3	379111	GEAR BOX ASS'Y	1	INCLUD. 4-28
4	379123	CLUTCH DIAL (S)	1	
5	327146	CLICK SPRING	1	
6	379114	NUT	1	
7	370607	SPRING	1	
8	370603	THRUST PLATE	1	
9	379113	SPINDLE	1	
10	370608	SHIFT ARM	1	
11	379112	GEAR CASE	1	
12	379268	NEEDLE ROLLER (A) SET D2.2 (2 PCS.)	2	
13	328717	WASHER (B)	1	
14	370609	LOCK RING	1	
15	319744	ROLLER	4	
16	306936	STEEL BALL D5	6	
17	379116	RING GEAR	1	
18	379115	CARRIER	1	
19	379267	PLANET GEAR (C) SET (5 PCS.)	5	
20	379117	SHIFT DOG	1	
21	379119	SLIDE RING GEAR	1	
22	379118	PINION (C)	1	
23	379269	PLANET GEAR (B) SET (4 PCS.)	4	
24	379120	PINION (B)	1	
25	370614	PLANET GEAR (A) SET (4 PCS.)	4	
26	370604	FIRST RING GEAR	1	
27	379121	WASHER (B)	1	
28	379122	MOTOR SPACER	1	
29	341137	STATOR CONTROLLER ASS'Y	1	INCLUD. 39, 40
30	361190	ROTOR PINION ASS'Y	1	INCLUD. 31
31	379110	MOTOR PINION	1	
32	379104	SHIFT KNOB	1	
33		NAME PLATE	1	
34	313687	TAPPING SCREW (W/FLANGE) D3X16 (BLACK)	11	
35	379108	TAIL COVER	1	
36	373041	REAR BUMPER	2	
37	339768	PUSHING BUTTON	1	
38	379106	HOUSING (A).(B) SET	1	
39	379109	DC-SPEED CONTROL SWITCH	1	
40	339769	BATTERY TERMINAL	1	
41	379397	HOOK ASS'Y	1	INCLUD. 42, 43
42	337357	TRUSS HD. SCREW M4 (BLACK)	1	
43	372229	HOOK	1	
44	306952	STRAP (BLACK)	1	
*45	378679	BATTERY BSL 1840M (EUROPE,AUS,NZL)	2	INCLUD. 502
*45	378678	BATTERY BSL 1840M (CHN)	2	INCLUD. 502
*45	378683	BATTERY BSL 1850MA (EUROPE,AUS,NZL)	2	INCLUD. 502
*45		BATTERY BSL 1850MA (TPE)	2	INCLUD. 502
*45	371750	BATTERY BSL 36A18 (EUROPE,AUS,NZL)	2	INCLUD. 502
		STANDARD ACCESSORIES		
*501		CHARGER (MODEL UC 18YFSL)	1	
*501		CHARGER (MODEL UC 18YSL3)	1	

* ALTERNATIVE PARTS



MODEL
WR18DBDL2

HIKOKI**CORDLESS IMPACT WRENCH WR18DBDL2**

Item No.	Code No.	Description	No. Used	Remarks
1	370950	FRONT CAP	1	
2	370938	PROTECTOR	1	
3	370943	HAMMER CASE	1	
4	370945	THRUST DAMPER	1	
5	370944	WASHER (F)	1	
6	370951	FRICTION RING (B)	1	
7	315382	O-RING (P-8)	1	
8	370933	ANVIL ASS'Y	1	INCLUD.6,7
9	959154	STEEL BALL D5.556 (10 PCS.)	2	
10	370947	HAMMER	1	
11	959148	STEEL BALL D3.175 (10 PCS.)	28	
12	315978	WASHER (J)	1	
13	370946	HAMMER SPRING (L)	1	
14	316172	WASHER (S)	1	
15	316171	STOPPER	1	
16	370949	SPINDLE	1	
17	326295	IDLE GEAR SET (2 PCS.)	2	
18	319914	NEEDLE ROLLER	2	
19	370948	RING GEAR (E)	1	
20	983852	O-RING (S-42)	1	
21	319911	WASHER (E)	1	
22	323118	BALL BEARING 6901VV-N	1	
23	333952	DAMPER	2	
24	332185	INNER COVER	1	
25	361055	ROTOR PINION ASS'Y	1	INCLUD.26
26	333826	BALL BEARING 625DD	2	
*27B	370935	HOUSING (A).(B) SET	1	
*27B	370935M	HOUSING (A).(B) SET	1	FOR USA,CAN
28	327001	TRUSS HD. SCREW M4 (BLACK)	1	
*29	336372	HOOK	1	
*29A	372229	HOOK	1	FOR USA,CAN,EUROPE,AUS
30	370937	PANEL SHEET (D)	1	
31	306952	STRAP (BLACK)	1	
32	331101	CUSHION	1	
33A	376527	DC-SPEED CONTROL SWITCH	1	
34	324225	PUSHING BUTTON (B)	1	
35	370942	WIRING ASS'Y	1	INCLUD.33A
36	307811	TAPPING SCREW (W/FLANGE) D4X16 (BLACK)	9	
37		NAME PLATE	1	
*38	335790	BATTERY BSL 1850 (EUROPE,AUS,NZL)	2	INCLUD.503
*38	336265	BATTERY BSL 1850 (CHN)	2	INCLUD.503
*38	339782	BATTERY BSL 1830C (USA,CAN)	2	INCLUD.503
*38	339782M	BATTERY BSL 1830C (USA,CAN)	2	INCLUD.503 FOR METABOHT
*38	370065M	BATTERY BSL 1830C (USA,CAN) (2 PCS.)	1	INCLUD.503 FOR METABOHT
*38A	371750	BATTERY BSL 36A18 (EUROPE,AUS,NZL)	2	INCLUD.503
*38A	376029	BATTERY BSL 1850C (EUROPE,AUS,NZL)	2	INCLUD.503
*38A	376314	BATTERY BSL 1850C (THA)	2	INCLUD.503
		STANDARD ACCESSORIES		
*501		CHARGER (MODEL UC 18YFSL)	1	
*501		CHARGER (MODEL UC 18YSL3)	1	
*501		CHARGER (MODEL UC 18YML2)	1	
*502	337852	CASE	1	
503	329897	BATTERY COVER	1	

* ALTERNATIVE PARTS

